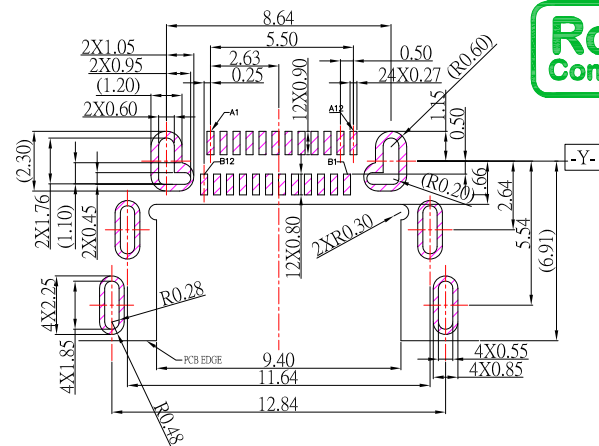
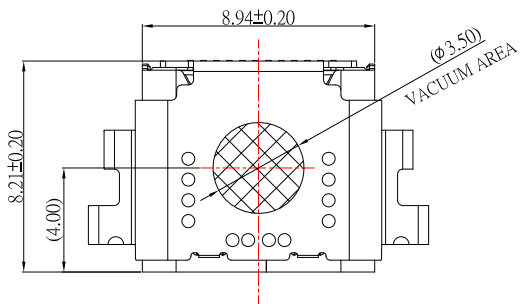




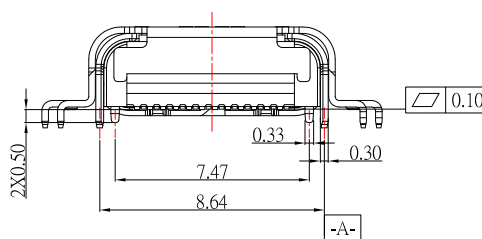
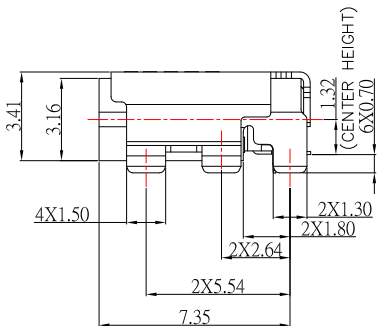
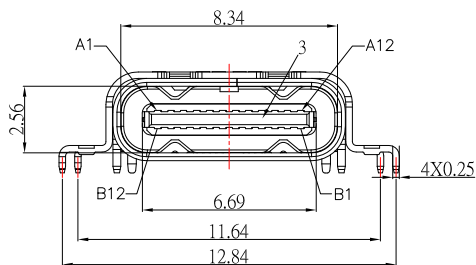
# SBC-240M17H-31x-S277

鍍層厚度：

Blank	: 1u"
2	: 15u"
3	: 30u"



RECOMMENDED P.C.B. LAYOUT



## SPECIFICATIONS

### Electrical:

1. Rating: 5.0 A
2. Dielectric Withstand Voltage: 100V AC
3. Contact Resistance: 40 mΩ Max
4. Insulation Resistance: 100 MΩ Min

### Mechanical:

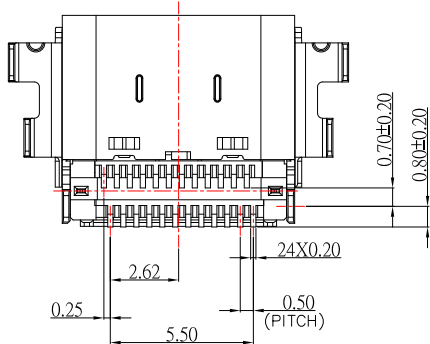
1. Connector Mate and Unmate Force
  - 1.1 Mate force: 5~20 N
  - 1.2 Unmate force: 8~20 N

### Material:

1. Housing: LCP
2. Contact: Copper Alloy
3. Shell: SUS

### Finish:

1. Contact: Plated Gold in Mating Area ;  
Tin Plated on Solder Balls ;  
Nickel under plated overall
2. Shell: Nickel under Plated surface layer



## PIN ASSIGNMENT

A1	A2	A3	A4	A5	A6	A7	A8	A9	A10	A11	A12
GND	TX1+	TX1-	Vbus	CC1	D+	D-	SBU1	Vbus	RX2-	RX2+	GND
GND	RX1+	RX1-	Vbus	SBU2	D-	D+	CC2	Vbus	TX2-	TX2+	GND
B12	B11	B10	B9	B8	B7	B6	B5	B4	B3	B2	B1



TOLERANCE UNLESS OTHERWISE STATED:

Up to 5 ±0.2  
Above 5 ~ 15 ±0.3  
Above 15 ~ 30 ±0.4  
Above 30 ~ 50 ±0.5  
Angle ±0.3°

3RD. ANGEL'S



UNITS

MM

DRAWN BY:	DATE
Jack Lu	07/16/21
CHECKED BY:	DATE
Jacky Chen	07/16/21
APPROVED BY:	DATE
Tony Kao	07/16/21

MAT'L		TITLE	CONNECTOR
FINISH		MODLE	TYPE CF 雙排 SMT 沉板 板上H3.18 高導電銅
SCALE	1 : 1	DWG NO.	SBC-240M17H-31x-S277
SHEET NO.	1 of 1	PART NO.	SBC-240M17H-31x-S277
		SIZE	A4
		VER	R1

1	更新料號	Jack	071621
ITEM NO.	DESCRIPTION	DRAWN	DATE